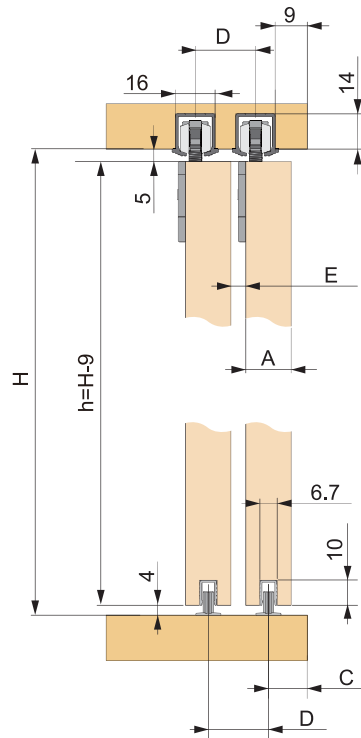
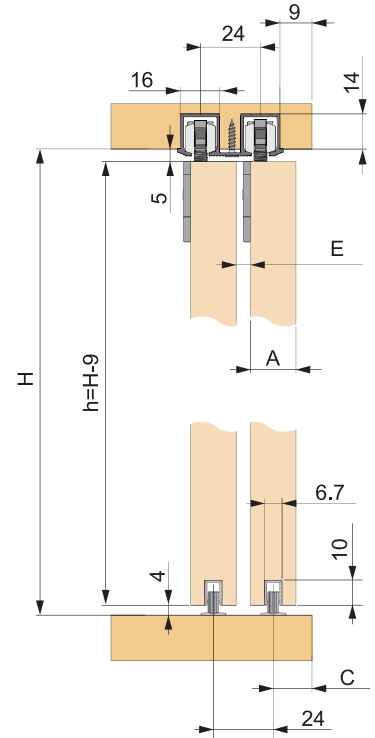


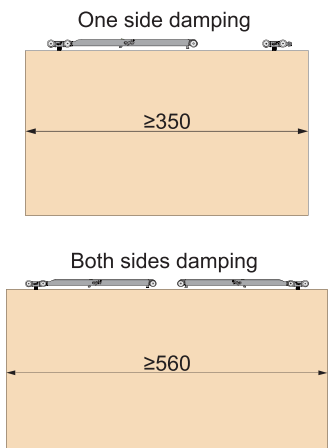
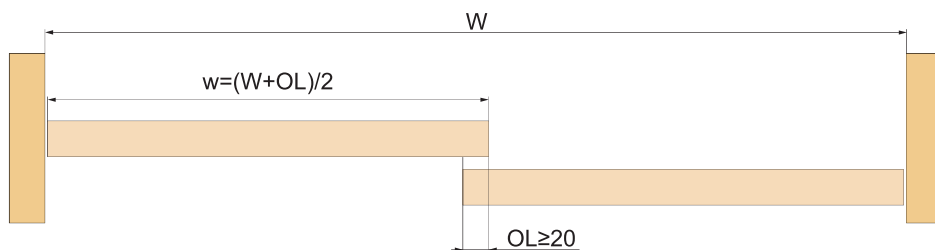
	A (16mm)	A (18mm)	A (19mm)
C	13mm	12mm	11.5mm



	A (16mm)	A (18mm)	A (19mm)
C	13mm	12mm	11.5mm
D	22mm	24mm	25mm
E	6mm	6mm	6mm

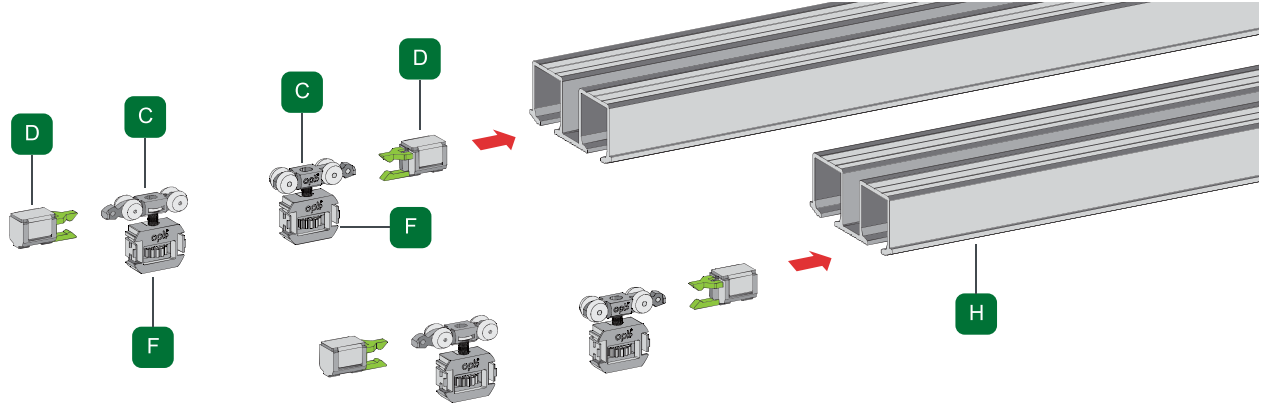


	A (16mm)	A (18mm)
C	13mm	12mm
E	8mm	6mm

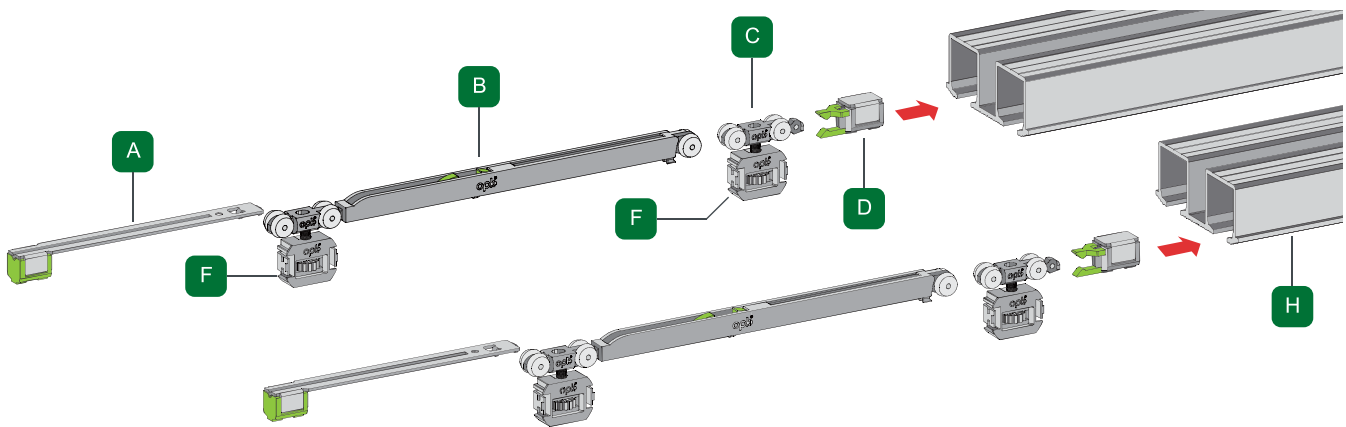


1

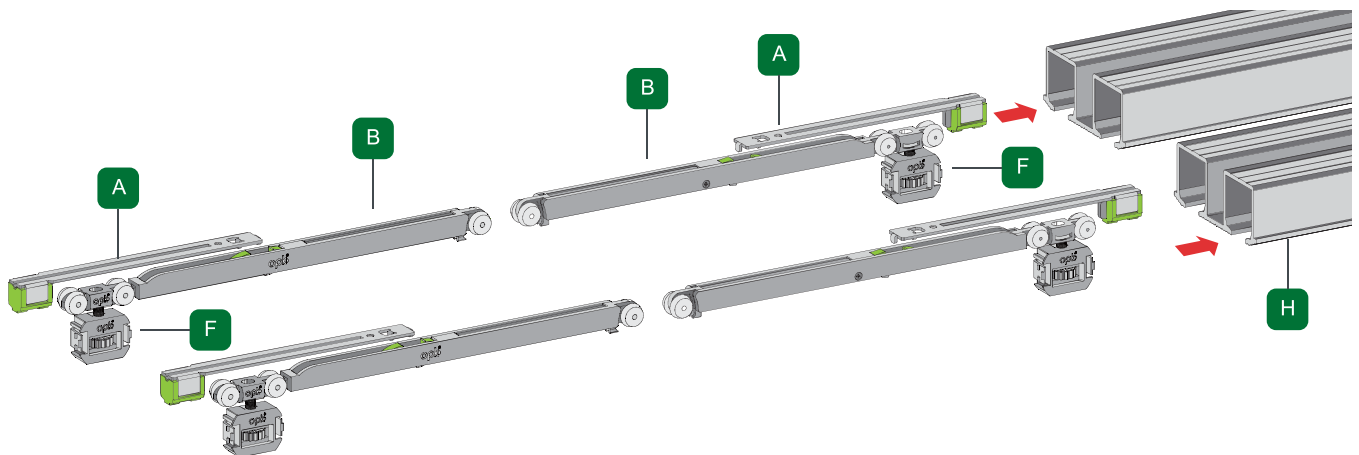
No damping



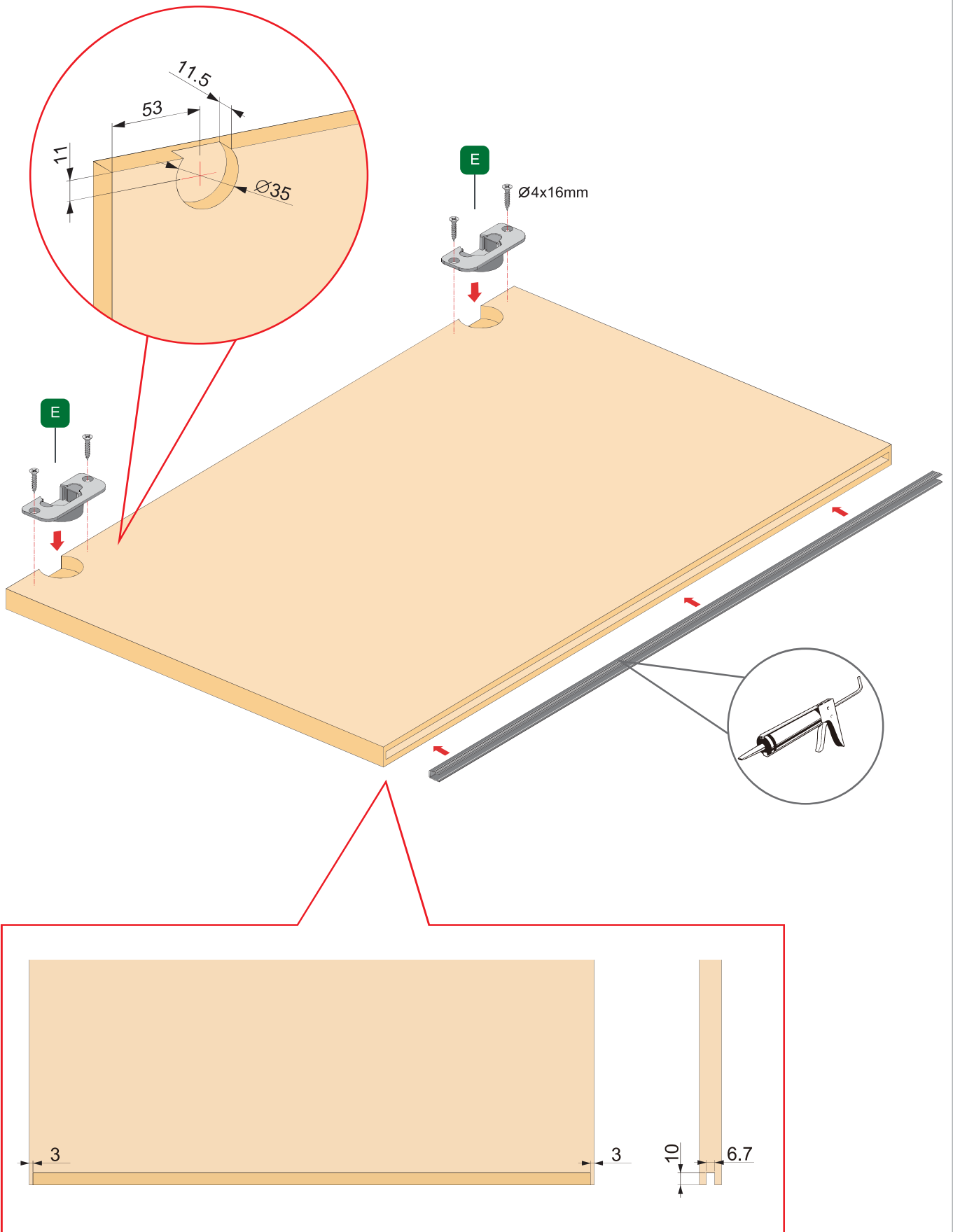
One side damping



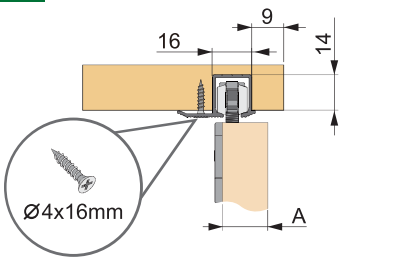
Both sides damping



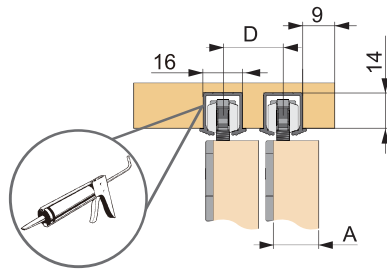
2



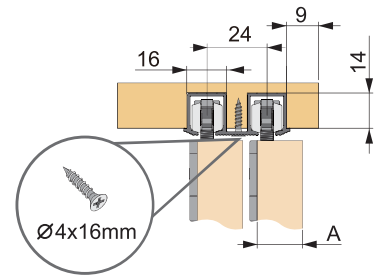
3



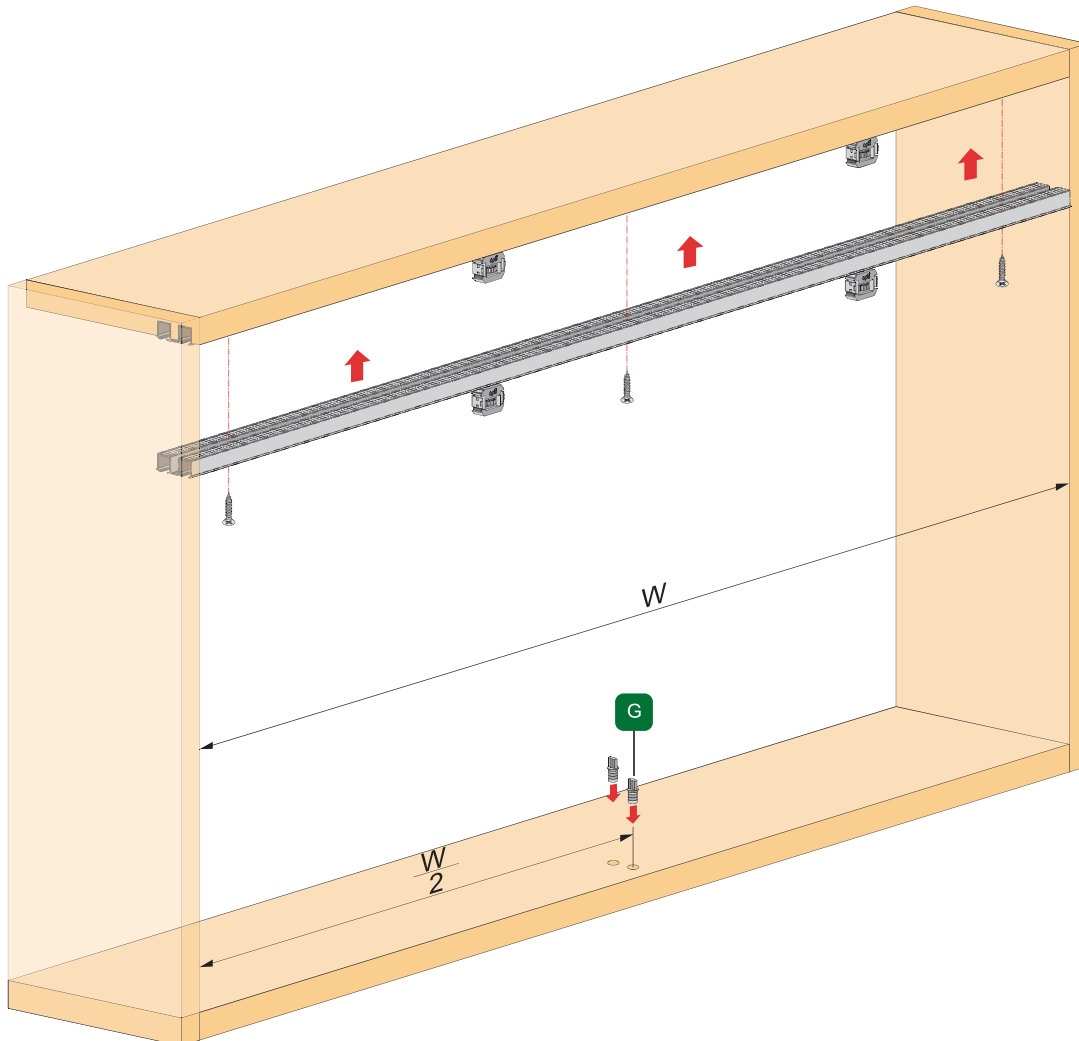
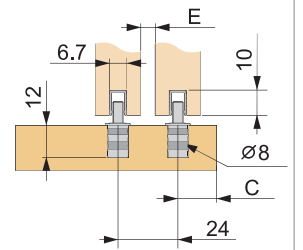
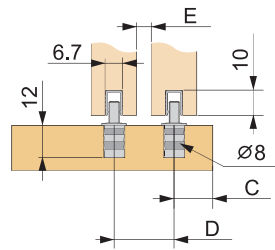
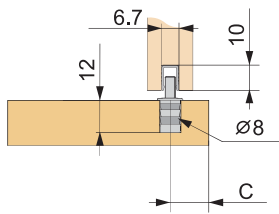
	A (16mm)	A (18mm)	A (19mm)
C	13mm	12mm	11.5mm



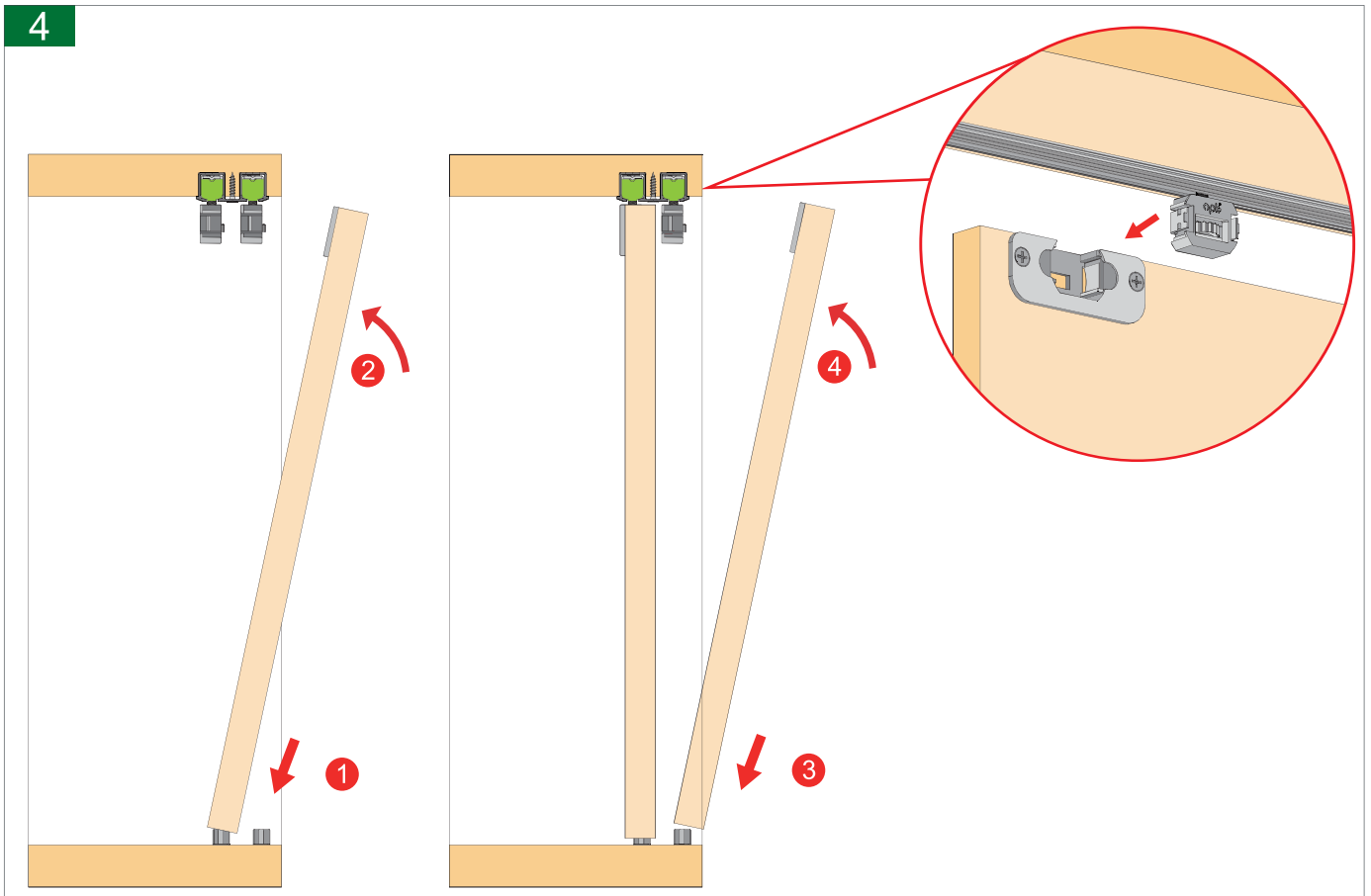
	A (16mm)	A (18mm)	A (19mm)
C	13mm	12mm	11.5mm
D	22mm	24mm	25mm
E	6mm	6mm	6mm



	A (16mm)	A (18mm)
C	13mm	12mm
E	8mm	6mm



4



5

