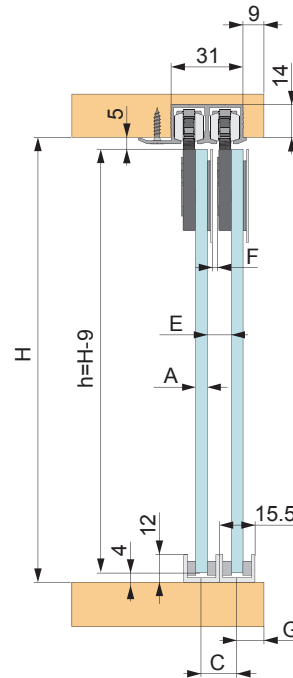
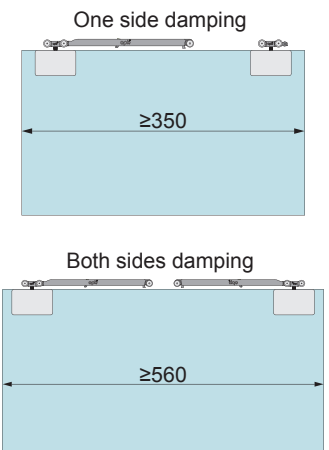
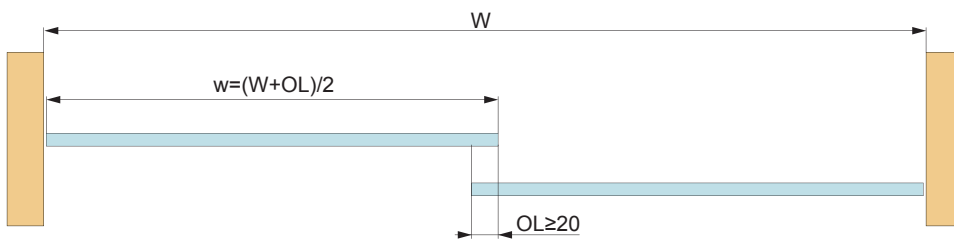


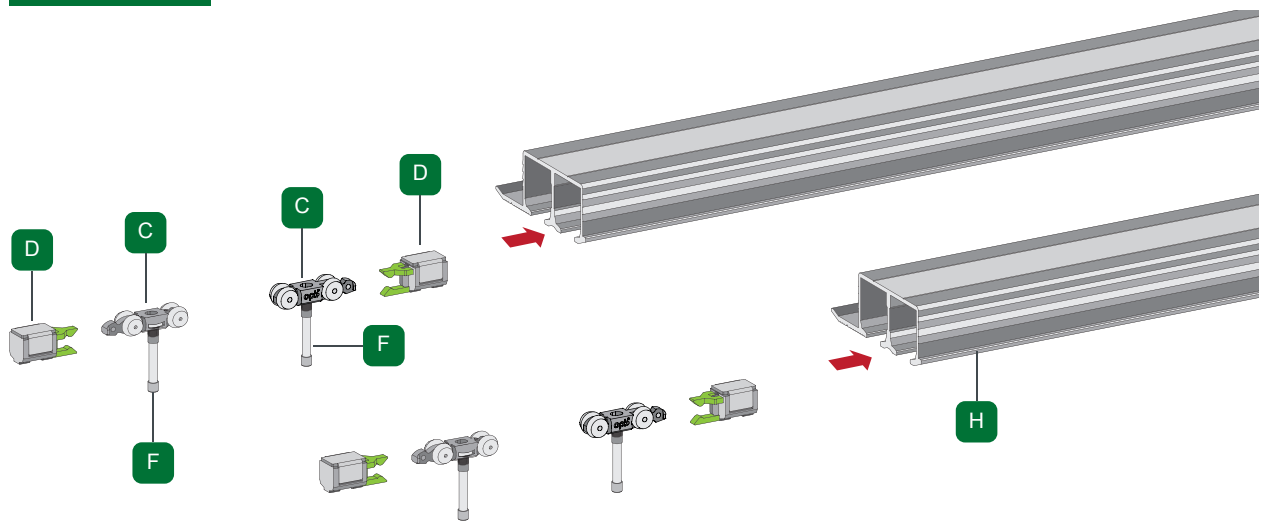
	A (4mm)	A (5mm)	A (6mm)	A (6.35mm)
G	11.5mm	11mm	10.5mm	10.3mm



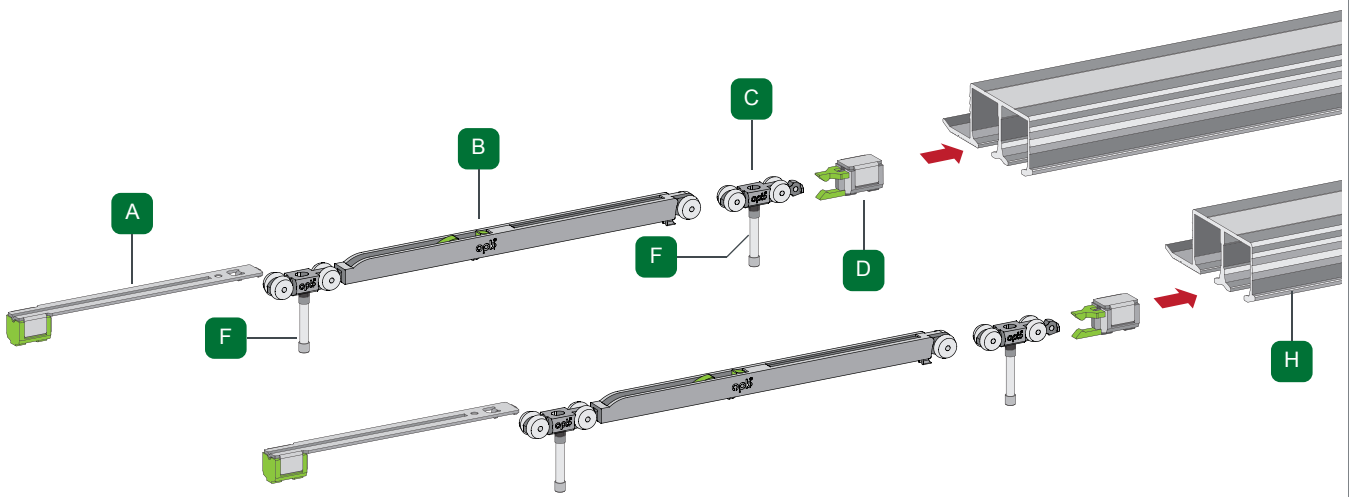
	A (4mm)	A (5mm)	A (6mm)	A (6.35mm)
C	15.5mm	15.5mm	15.5mm	15.5mm
E	11.5mm	10.5mm	9.5mm	9.1mm
F	4mm	3mm	2mm	1.6mm
G	11.5mm	11mm	10.5mm	10.3mm



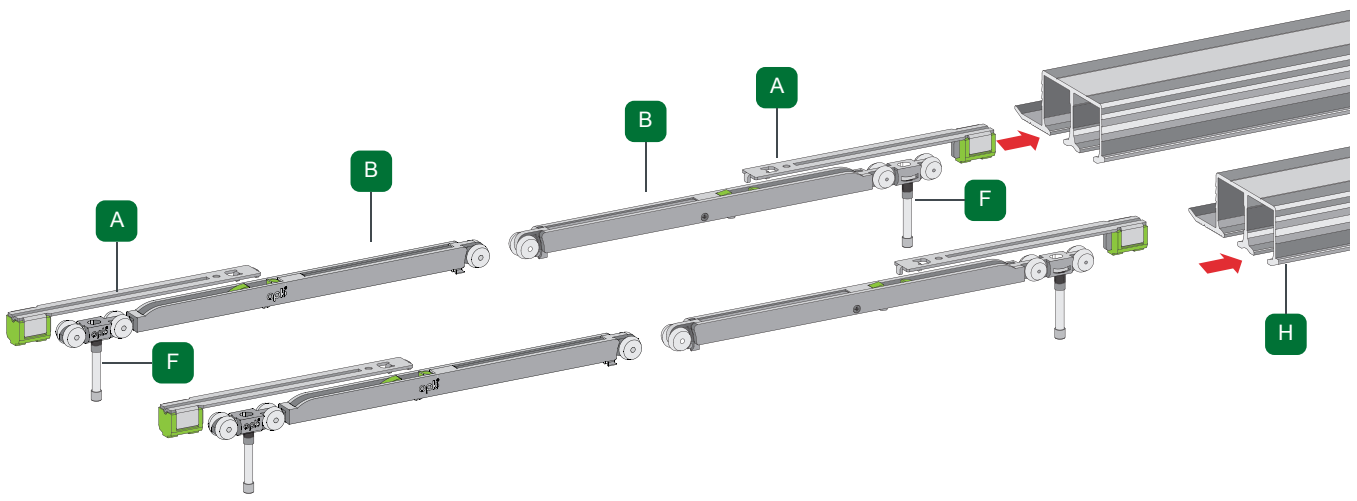
1 No damping



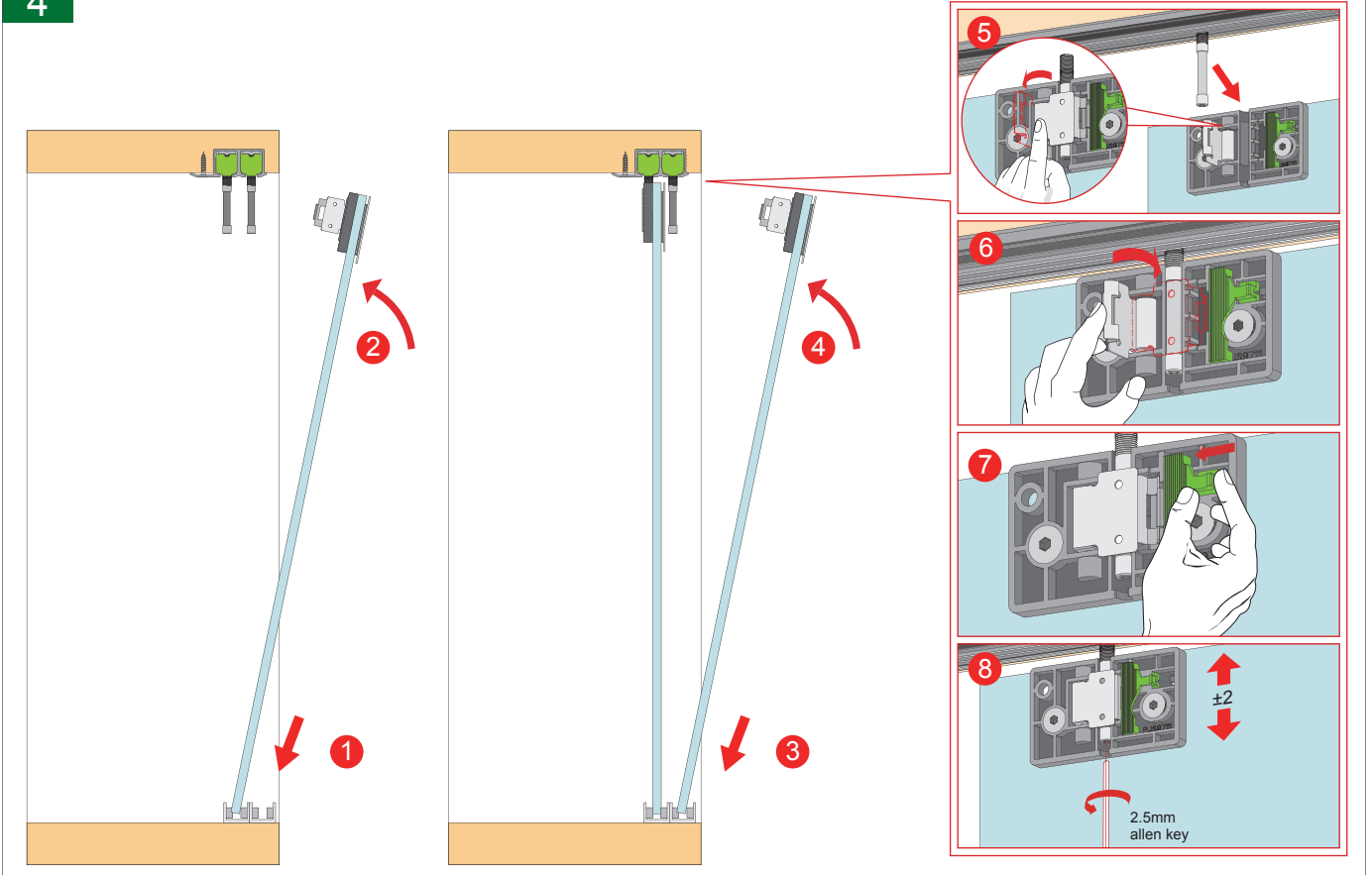
One side damping



Both sides damping



4



5

